

## WindSafe® 2D-Tower Vibration Sensor KS22-Ig

The sensor measures the vibrations of the wind turbine tower. The purpose of the measurement is to monitor and record the operating conditions.

The KS22-Ig which is integrated into the control system signals:

- Tower vibrations
- Blade resonances
- Unbalances
- Overstressing

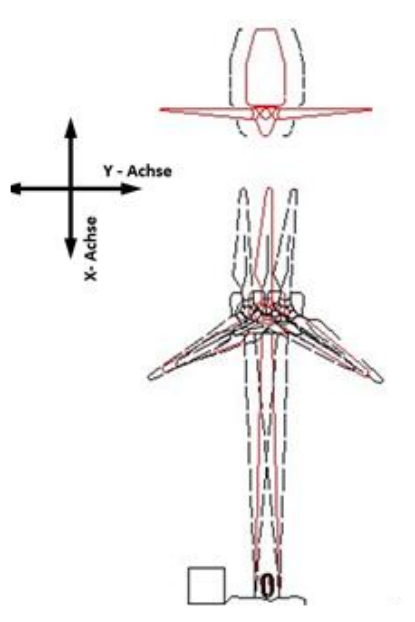
Measured-value acquisition:

- 2 axes simultaneously
- Vibration acceleration
- Separate ground connector

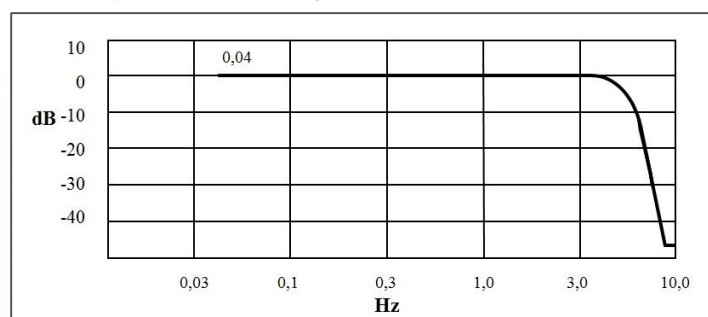
DMT Sensor KS22-Ig



Vibration of a Wind Turbine Tower

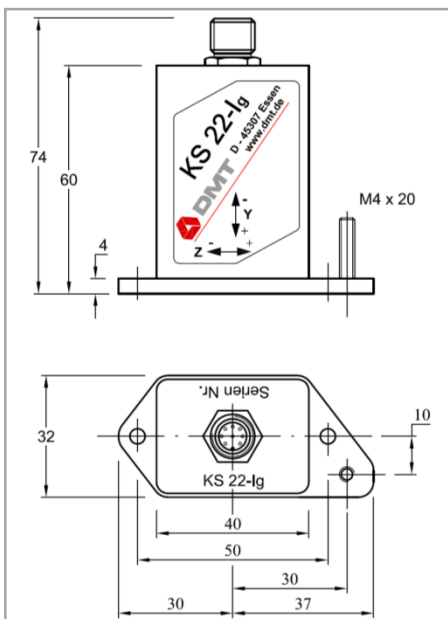


Frequency response KS22-Ig



Technical Data		
Measuring axes	2	y/z
Sensor constant	1,6	mA/(m/s <sup>2</sup> )
Measuring range	± 5	m/s <sup>2</sup>
Supply consumption	20-30 (temporarily 33)	V DC
Power consumption	10	mA
Frequency range	0,01 ... 5	Hz
Attenuation at 10 Hz	>20	dB
Chebyshev filter ( fourth order)	0,5	dB ripple
Analog output / Zero position	12 ± 0,05	mA
Output range	4 ... 20	mA
Setting time	30 ±	seconds
Weight (without cable)	282	gram
Connection Type: Connector SACC-E-M12MS-8CON-PG9/0,5	Axial 1554571	Phoenix
Temperature range	-40° ... / +65°	Celsius
Degree of protection	66	IP
Output resistance	500	Ω
Dimensions	See drawing	
Housing material	V2A high-grade steel	

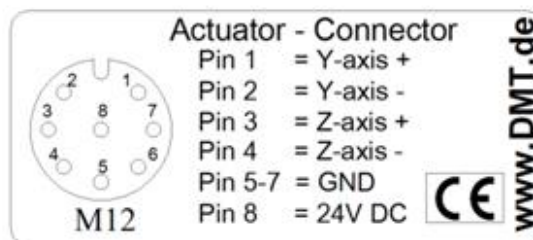
Dimension drawing: We reserve the right to make changes in the interest of technical development



**Note:**

Subjecting the sensor housing to mechanical stress can lead to malfunctions and invalidate the warranty.

Do not drop the sensor and protect from severe impact, static charge and overload.



**DMT GmbH & Co. KG**  
 Am Technologiepark 1  
 45307 Essen  
 Tel +49 201 172-1666  
 Fax +49 201 172-1515  
 www.dmt-group.com · products@dmt-group.com



TÜV NORD GROUP

**Earth. Insight. Values.**