

WindSafe® 2D-Tower Vibration Sensor KS22-I

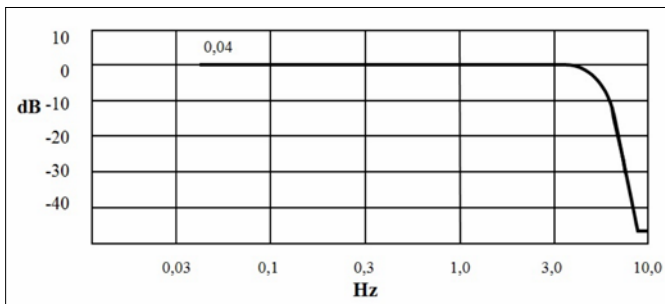
The sensor measures the vibrations of the wind turbine tower. The purpose of the measurement is to monitor and record the operating conditions.

The KS22-I which is integrated into the control system signals:

- Tower vibrations
- Blade resonances
- Unbalances
- Overstressing

Measured-value acquisition:

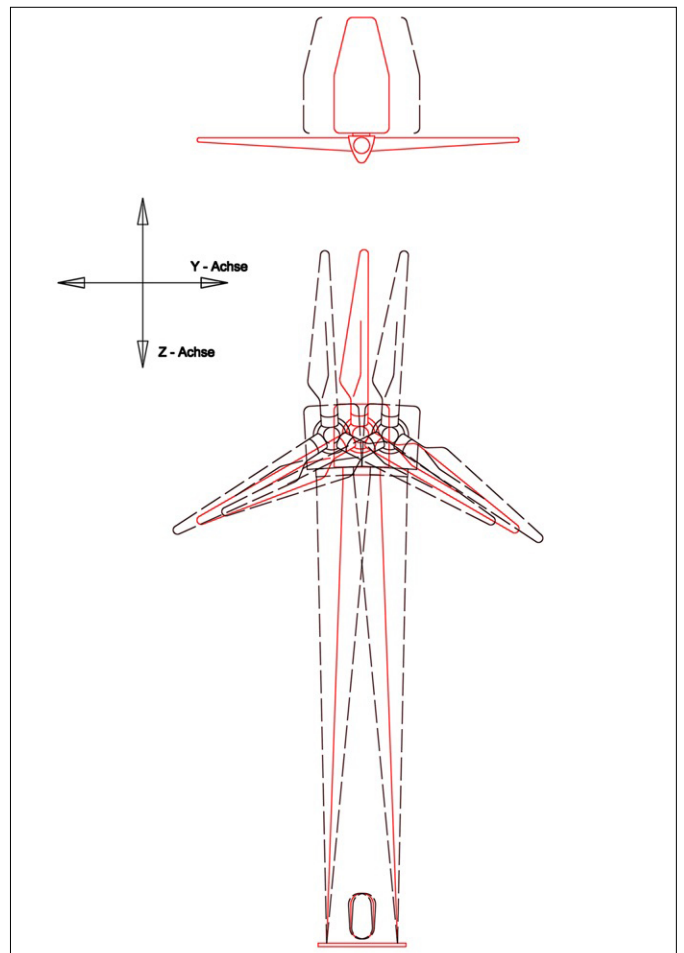
- 2 axes simultaneously
- Vibration acceleration



Frequency response KS22-I



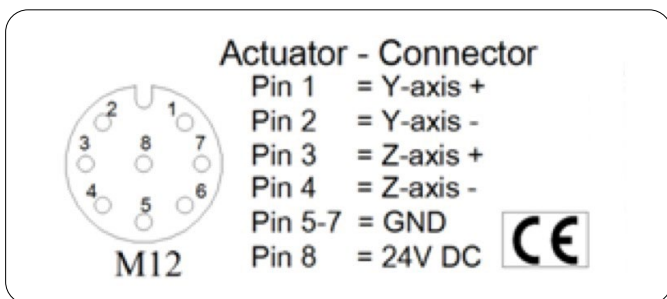
DMT Sensor KS22-I



Vibration of a Wind Turbine Tower

Technical Data

Measuring axes	2	y/z
Sensor constant	1,6	mA/(m/s ²)
Measuring range	± 5	m/s ²
Supply consumption	20-30 (temporarily 33)	V DC
Power consumption	10	mA
Frequency range	0,01 ... 5	Hz
Attenuation at 10 Hz	>20	dB
Chebyshev filter (fourth order)	0,5	dB ripple
Analog output / Zero position	12 ± 0,05	mA
Output range	4 ... 20	mA
Setting time	30 ±	seconds
Weight (without cable)	282	gram
Connection Type: Connector SACC-E-M12MS-8CON-PG9/0,5	Axial 1554571	Phoenix
Temperature range	-40° ... / +65°	°C
Degree of protection	66	IP
Output resistance	500	Ω
Dimensions	See drawing	
Housing material	V2A high-grade steel	



Note:

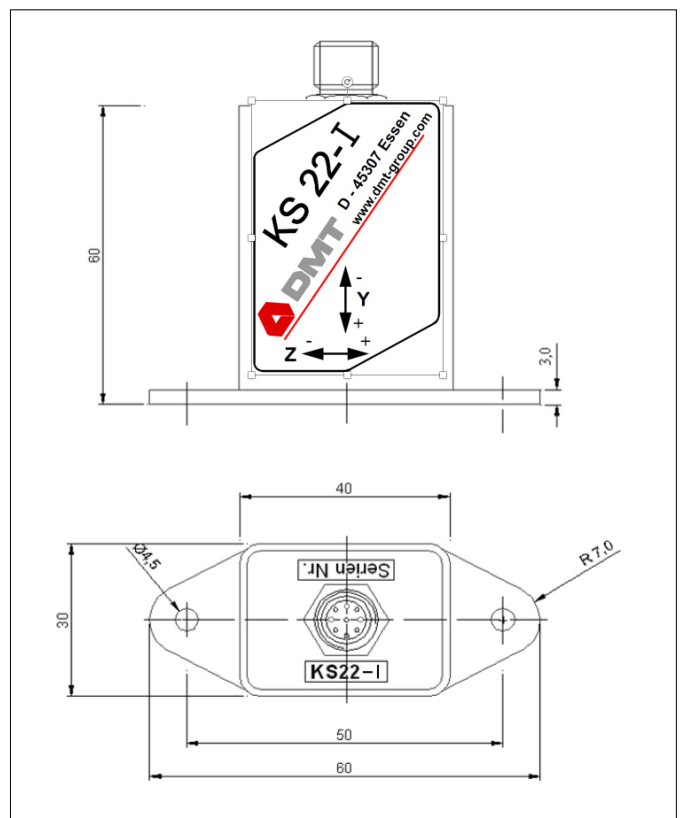
Subjecting the sensor housing to mechanical stress can lead to malfunctions and invalidate the warranty. Do not drop the sensor and protect from severe impact, static charge and overload.

DMT GmbH & Co. KG

Am TÜV 1
45307 Essen, Germany

T +49 201 172-1666
F +49 201 172-1515

products@dm-tgroup.com
dm-tgroup.com



Dimension drawing: We reserve the right to make changes in the interest of technical development